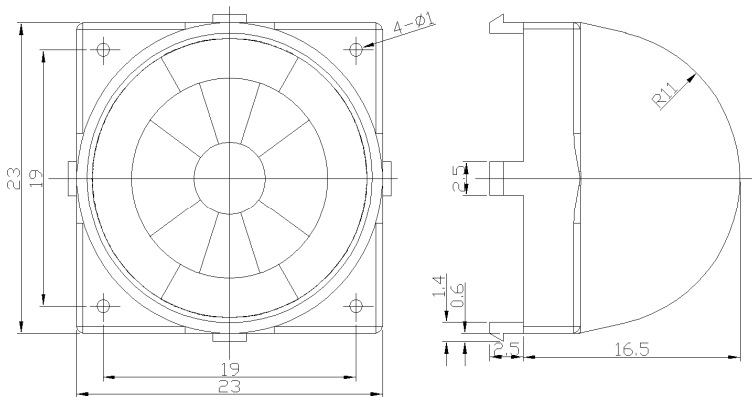


型号	焦距	角度	距离	尺寸
Model	Focus	Angel	Length	Type
S9006	10.5mm	100°	5m	23mm×23mm× (2.5+16.5)mm



Nanyang Senba Optical & Electronic Co.,Ltd

Web: www.sbcds.com.cn

Sales office in Shenzhen:

Add: No.4 Building,Huawan Industry Area,BaoAn Road,BaoAn District,Shenzhen,China.

Tel: 86-755-82594732 **Fax:** 86-755-82594762

Contact: Jane Zhang

Email: zz@sbcds.com.cn