

Solar Photovoltaic Relay 太阳能光伏继电器系列 - QY161F

FEATURES 特点

- Applicable to inverter used for photovoltaic power generation systems
适用于太阳能光伏发电用逆变器
- Applicable to UPS
适用于UPS
- 35A switching capacity
35A触点切换能力
- The clearance distance between contact and coil is bigger than 6.4mm, the creepage distance is bigger than 8mm.
触点与线圈间电气距离大于6.4mm,爬电距离大于8mm.
- Insulation system: Class F
绝缘等级: F级



CONTACT PARAMETERS 触点参数

Contact Form 触点形式	H-1组常开 0.9W	H-1组常开 1.4W
Contact Gap 触点间隙	Normal 普通	1.5mm;1.8mm;2.0mm;2.3mm
Rated Load 触点负载	25A 250VAC 2HP 250VAC	30A 277VAC 35A 250VAC
Contact Material 触点材料	Ag Alloy 银合金	
Max.Switching Voltage 最大切换电压	277VAC	
Max.Switching Current 最大切换电流	35A	
Max.Switching Power 最大切换功率	8750VA	

CHARACTERISTICS 性能参数

Surge voltage 浪涌电压	10KV 1.2/50 μ s (between coil and contacts)	
Contact Resistance 接触电阻	100m Ω Max	
Operate Time 吸合时间	20ms. Max	
Release Time 释放时间	10ms. Max	
Insulation Resistance 绝缘电阻	1000M Ω Min.(DC500V)	
Initial Dielectric Strength 介质耐压	between open contacts: 触点与触点间:	AC1,000V/ 2,500(Gap>1.5mm),50/60Hz 1Min
	between contacts and coil: 触点与线圈间:	AC 4500V,50/60Hz 1Min
Vibration Resistance 抗振动	Damage limits: 耐久:	10~55Hz Double Amplitude 双振幅 1.5mm
	Malfunction: 误动作:	10~55Hz Double Amplitude 双振幅 1.5mm
Shock Resistance 抗冲击	Damage limits: 耐久:	196m/s ²
	Malfunction: 误动作:	980m/s ²
Life 寿命	Mechanical Life (10800 per hour) 机械寿命 (每小时10800次)	1 \times 10 ⁵
	Electrical Life (600 per hour) 电气寿命 (每小时600次)	3 \times 10 ⁴
Ambient Temperature 环境温度	-40 $^{\circ}$ C ~ +85 $^{\circ}$ C (No condensation) (不冷凝)	
Unit Weight 单位重量	约Approx. 21g	

COIL RATINGS (at20°C) 线圈参数 (在20°C)

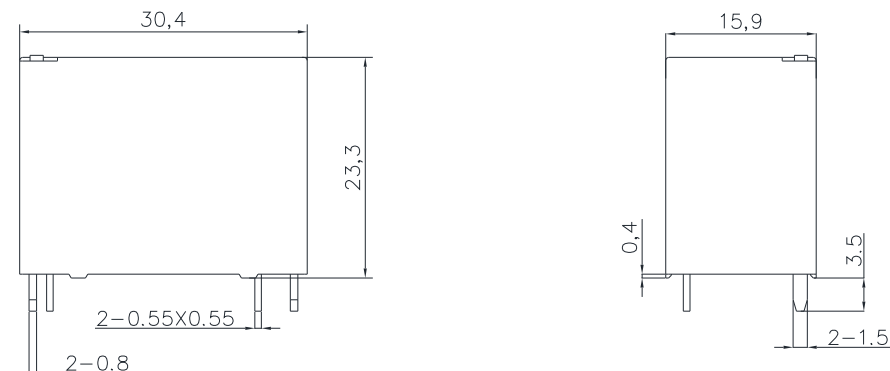
Coil Nominal Voltage 额定电压 (VDC)	Nominal Current 额定电流 ±10%(mA)	Coil Resistance 线圈电阻 ±10% (Ω)	Max. Continuous Voltage 最大连续外加电压	Pick-Up Voltage 吸合电压 (Max)	Drop-Out Voltage 释放电压 (Min)	Rated power 额定功率
5	180	27.8	Coil Nominal Voltage 130% 额定电压的 130%	Coil Nominal Voltage 75% 额定电压的 75%	Coil Nominal Voltage 10% 额定电压的 10%	About 0.9W 约 0.9W
9	100	90				
12	75	160				
18	50	360				
24	37.5	640				
48	180	2560				
5	281	17.8	Coil Nominal Voltage 130% 额定电压的 130%	Coil Nominal Voltage 75% 额定电压的 75%	Coil Nominal Voltage 10% 额定电压的 10%	About 1.4W 约 1.4W
9	155	58				
12	117	103				
18	78	231				
24	58.5	410				

ORDERING INFORMATION 订货标记

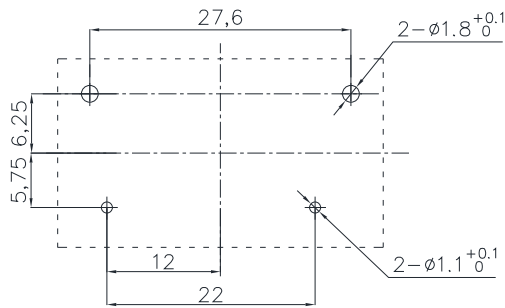
QY161F-012DC-H-S- □-XXX 1 2 3 4 5 6	
1. Model Number 基本型号: QY161F	4. Enclosure: S-General Type, K-Sealed Type 封装形式: S-标准型, K-密封型
2. Coil Voltage 线圈规格 (VDC): 005DC~048DC	5. Coil Power: P-0.9W Nil-1.4W 线圈功率: P-0.9W 无-1.4W
3. Contact Form: H-1 Form A 触点形式: H-1组常开	6. Features: XXX- Special Requirements, Nil-Standard Type 特性号: XXX-特殊要求, 无-标准型

OUTLINE DIMENSIONS (UNIT:mm) 外形尺寸 (单位: mm)

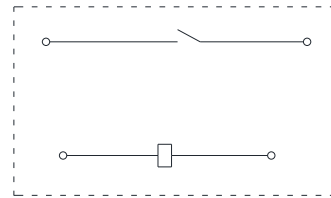
Outline Dimensions
外形图



Mounting hole size (bottom view)
安装孔尺寸 (底视图)



Wiring diagram (bottom view)
接线图 (底视图)



Undimensioned tolerance: <1mm: ±0.2mm 1~5mm: ±0.3mm >5mm: ±0.4mm
未标注尺寸公差: <1mm: ±0.2mm 1~5mm: ±0.3mm >5mm: ±0.4mm

Note: 1. The size of the lead foot is pre welding dimension. 注: 1、引出脚尺寸为预焊前尺寸
2. installation hole size tolerance: + 0.1mm 2、安装孔尺寸公差: ±0.1mm

TYPICAL USE 典型用途

- Household equipment, photovoltaic power generation systems, UPS, Smart socket, Charging pile Etc.
- 家用设备、太阳能光伏发电用逆变器、UPS、智能插座、充电桩等

PERFORMANCE CHART 性能曲线图

