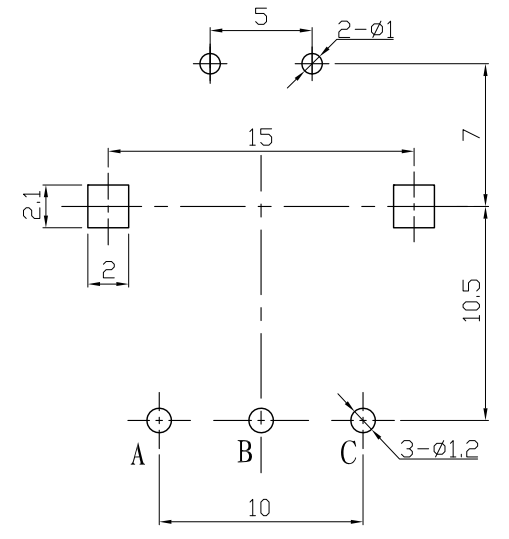
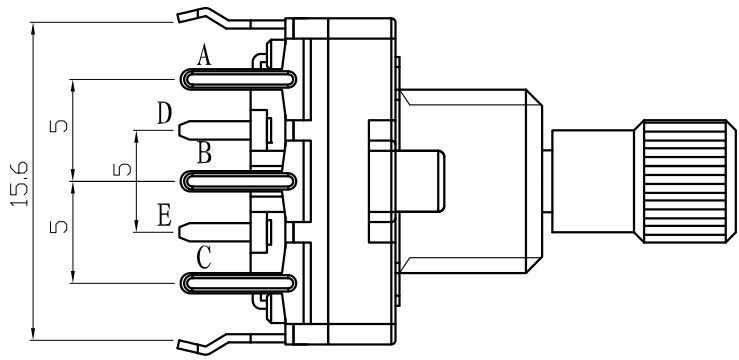
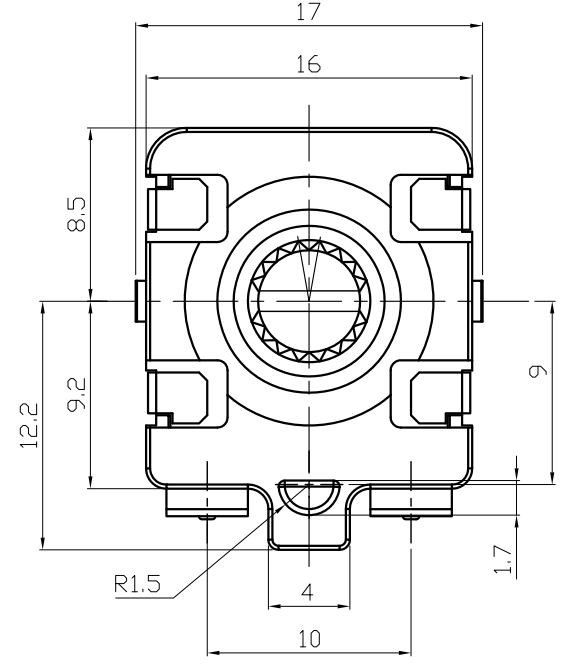
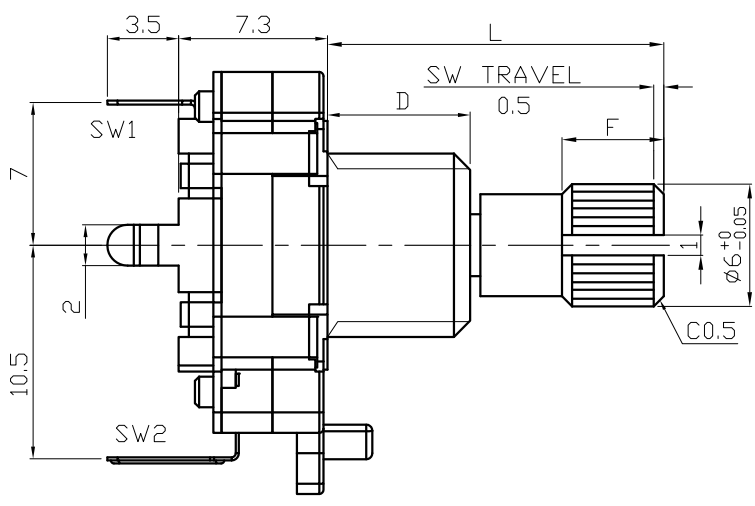


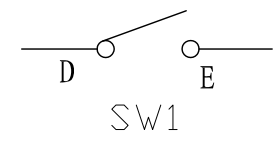
MODEL RE1601 **X** B1-H01

BASIC DIMENSIONS	L ≤ 10	10 < L	100 ≤ L	ANGLE	UNIT
TOL.	±0.3	±0.5	±0.8	±5°	mm



P.C.B MOUNTING DETAIL

X	A	B
D	5	7



轴型规格

<p>A轴</p>	D=5	
	L	12
	F	7

<p>V轴</p>	D=5		
	L	15	20
	F	4.5	12

