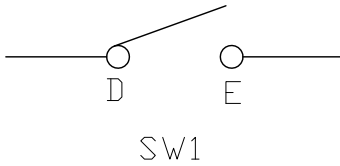
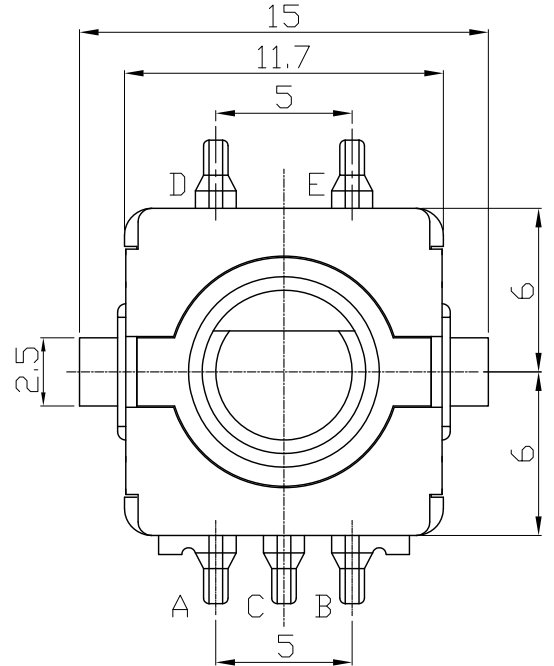
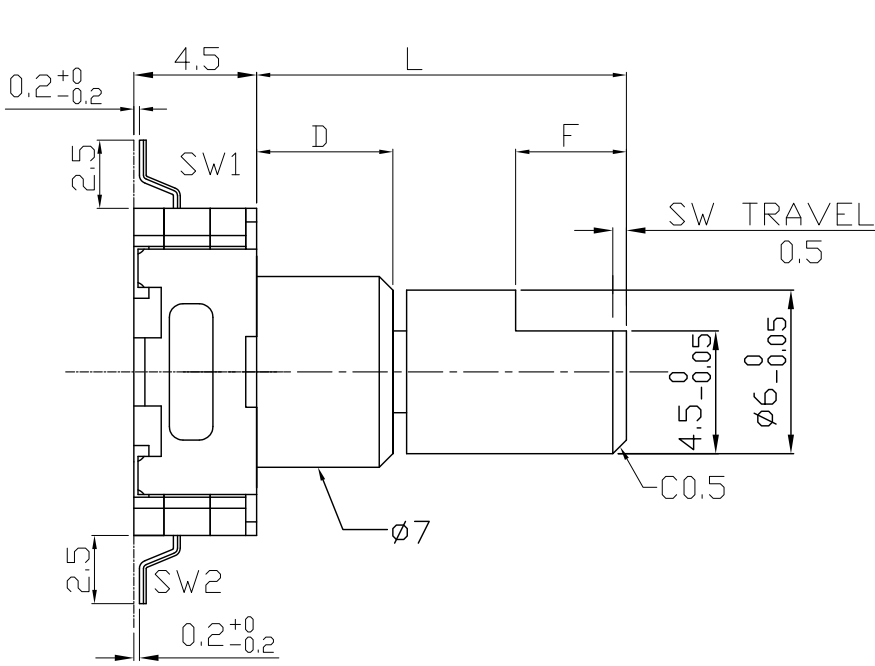
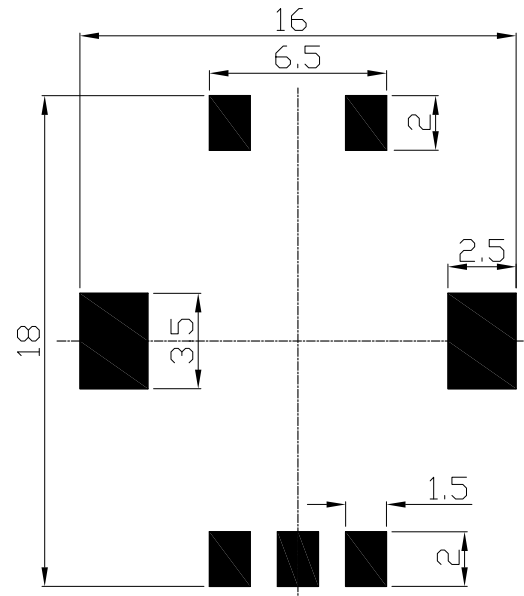


MODEL RE1103  F2-V01

BASIC DIMENSIONS	L ≤ 10	10 < L	100 ≤ L	ANGLE	UNIT
TOL.	±0.3	±0.5	±0.8	±5°	mm



<input checked="" type="checkbox"/>	E	F	I
D	5	7	3.5



P.C.B. MOUNTING DETAIL

轴型规格

轴型	D=5							D=7	
	L	10	10	12	14	14.5	16.5	16.5	20
F轴	F	4	4	5	6	8	8	7	10

轴型	D=5							D=7							
	L	10	12.5	13.5	13.7	15.5	16.7	12.5	13	14.5	15	15	17	18	20
AB轴	F	4	6	5	7	5	7	4.5	4	5.5	5	7	7	7	7

轴型	D=5							D=7							D=3.5									
	L	10	10.5	12.5	12.5	13	16.7	13	14	14.3	15.5	16.6	17.1	18.5	19	19.5	20	5.5	6.5	8	9	9.5	10	11.5
A轴	F	4	4	5	5.5	7	7	4	5	5.5	7	7	7	6.5	7	10	10	1	2	3	4	5	4	7

轴型	D=5							D=7							D=3.5			
	L	9.5	11	11.5	12.5	13	15.3	12.5	13.5	14	14	15.5	15	15.5	18	18.5	19	8.5
V轴	F	3.5	3.5	5	5	5	7.8	4	4	3.5	5	5	7	5	9	8.5	7	3.5

轴型	D=5			D=7							D=3.5			
	L	13	17.5	12	13.3	14	16.7	17	20.5	22	25.5	27.5	8.5	9
K轴	F	5	6	3.5	5	5	5	7	11	11	5	15	4	4